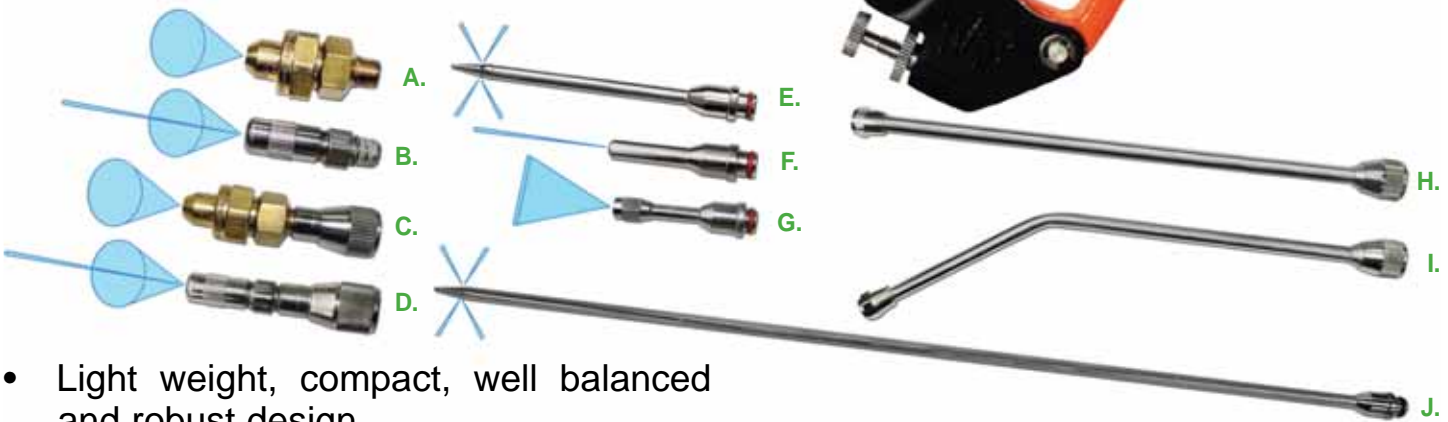


NJ Phillips Metal Forestry Applicator 20ml (PAM797)



PAM797 WITH BENT NOZZLE EXTENSION (J) AND ADJUSTABLE CONE NOZZLE (O) SOLD SEPARATELY



- Light weight, compact, well balanced and robust design.
- Compatible with most agricultural chemicals.
- Easy access to piston and valves for servicing.
- Simple dose adjustment system.
- Service kits & nozzle kits available.

LEGEND:

- | | |
|-------------------------------------|-------------------------------------|
| 1. Nozzle Nut (SN4) | 14. Push Rod Guide (SH1397) |
| 2. Spray-Stream Nozzle (SN540) | 15. Inlet Valve Assembly (WX291) |
| 3. Nozzle Seal Ring (SP585) | 16. Inlet Adaptor (SN451) |
| 4. Delivery Cage Lock Nut (SN5) | 17. Handle (SA84) |
| 5. Delivery Valve Assembly (WX291) | 18. Dose Adjustor Screw (SN498) |
| 6. Delivery Valve Cage (SN496) | 19. Dose Adjustor Lock Nut (SN499) |
| 7. Cylinder Seal Ring (SP890) | 20. Adjustor Nut (SN60/N) |
| 8. Cylinder (SH1193A) | 21. Trunnion (SN14) |
| 9. Piston Seal Ring (SP890) | 22. Spring Adjustor Spindle (SN497) |
| 10. Piston (SH677) | 23. Return Spring (SP134) |
| 11. Push Rod Seal Ring (SP570) | 24. Lever Pivot Pin Clip (SP83) |
| 12. Push Rod (SN392) | 25. Lever Pivot Pin (SM679) |
| 13. Inlet Adaptor Seal Ring (SP582) | 26. Lever (SA51/H5) |
| | 27. Lever Pads (SH814) |

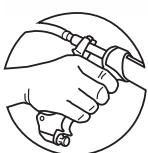
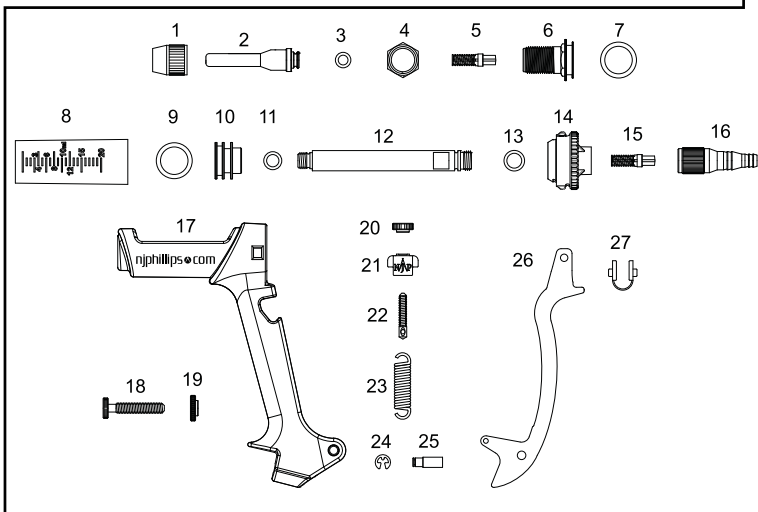
PLEASE ORDER BY KIT AND PART NAME

SPARE PARTS AVAILABLE:

KIT No.	PART NAME	PART No.
WX1444	Major Service Kit	3,5,7,8,9,10,11,13,14,15,23,24,27.
WX1364	Minor Service Kit	3,5,7,9,10,11,13,23,24,27.
WX1371	Spear	Not illustrated.

NOZZLE KITS (sold separately):

- A. Cone Nozzle (to fit H & I only) – WX1450
- B. Adjustable Cone Nozzle (to fit H & I only) – WX1732
- C. Cone Nozzle – WX1734
- D. Adjustable Cone Nozzle – WX1733
- E. 4 Hole Spear Nozzle – length 100mm (4") – SXN538
- F. Stream Splatter Nozzle – length 40mm (1½") – WX1549.
The Stream Splatter Nozzle will reach up to 10 metres.
- G. Flat Fan Nozzle – WX596
- H. Inlet Extension – length 280mm (11") – WX207B
- I. Bent Nozzle Extension – length 280mm (11") – WX88B
- J. 4 Hole Spear Nozzle – length 470mm (19") – WX1371



njphillips.com

Our expertise is in your hands.

NJ PHILLIPS PTY LIMITED ABN 36 000 082 002
 44 Gindurra Road, Somersby NSW, Australia 2250
Postal Address: Locked Bag 8, Gosford NSW, Australia 2250
Phone: +61 2 4340 2044 **Fax:** +61 2 4340 1991
Email: njp1@njphillips.com.au



The information contained in this document is legally privileged and confidential intended only for the use of the individual or entity. If the receiver of this document is not the intended recipient, the receiver is hereby notified that any dissemination, distribution or copy of this information is strictly prohibited. If this information is received in error, please notify us immediately. As our policy is one of continuous improvement, the manufacturer reserves the right to alter these specifications at any time. All products produced by NJ Phillips Pty Limited are identified by a unique batch number which is attached to the product to allow traceability by the manufacturer and must not be removed if product integrity is to be maintained. Not all part numbers may be available.